

95G1

PRODUCT SPECIFICATIONS

SINGLE STAGE GAS FURNACE

FORM NO. 95G1-100 (10/2018)



CONFIGURATIONS

- Upflow/Horizontal
- Downflow

HEAT EXCHANGER DESIGN

- Aluminized steel design primary heat exchanger with crimped no weld construction
- AL 29-4C Stainless steel secondary heat exchanger

BURNER

- Aluminized steel inshop burners for smooth fit

CABINET DESIGN

- Compact 33" height
- Standardized widths for easy coil fit

AIR DELIVERY SYSTEM

- Multi-speed PSC blower motor
- Easily removable slide-out blower design

CONTROLS

- Single Stage Gas Valve
- Self diagnostics saves last 5 fault codes regardless of power interruption
- Control features electronic air cleaner and humidifier terminals

VENTING

- Designed certified for direct and non direct applications

INSTALLATION FEATURES

- Left or right utility connection
- Designed certified for direct and non-direct vent applications
- Zero step horizontal conversion
- Removable floor base for bottom return air

WARRANTY

10 year limited parts warranty / lifetime heat exchanger warranty available. See limited warranty document for details.

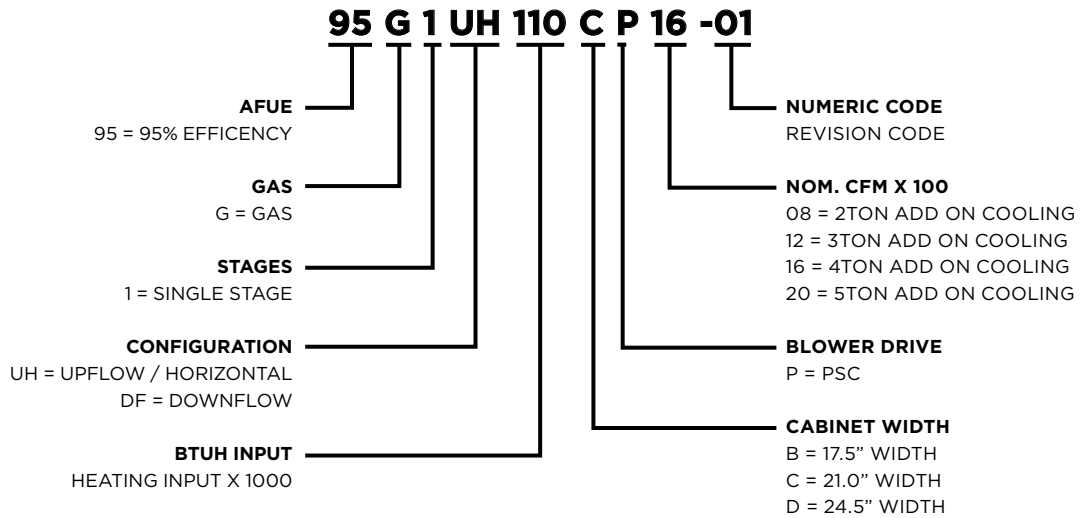
California Only

If installed in South Coast Air Quality Management District (SCAQMD) only: This furnace does not meet the SCAQMD Rule 1111 NOx emission limit (14 ng/l), and thus is subject to a mitigation fee of up to \$450. This furnace is not eligible for the Clean Air Furnace Rebate Program: www.CleanAirFurnaceRebate.com.

If installed in San Joaquin Valley Air Pollution Control District (SJVAPCD) only: This furnace does not meet the SJVAPCD Rule 4905 NOx emission limit (14 ng/l), and thus is subject to a mitigation fee of up to \$450.



MODEL NUMBER GUIDE



PHYSICAL AND ELECTRICAL DATA

| | Model | Input (Btuh) | Output (Btuh) | AFUE (ICS) | Nom. Cooling Capacity | Gas Inlet (in.) | Volts/ Hz/ Phase | Max. Time Delay Breaker or Fuse | Nominal F.L.A. | Trans. (V.A.) | Approx. Shipping Weight (lbs.) |
|---------------------|---------------|--------------|---------------|------------|-----------------------|-----------------|------------------|---------------------------------|----------------|---------------|--------------------------------|
| UPFLOW / HORIZONTAL | 95GIUH045BP08 | 44,000 | 41,000 | 95.0% | 1.5 - 2 | 1/2 | 120 - 60 - 1 | 15 | 3.1 | 40 | 121 |
| | 95GIUH045BP12 | 44,000 | 42,000 | 95.0% | 2 - 3 | 1/2 | 120 - 60 - 1 | 15 | 6.1 | 40 | 123 |
| | 95GIUH070BP12 | 66,000 | 64,000 | 95.0% | 2 - 3 | 1/2 | 120 - 60 - 1 | 15 | 6.1 | 40 | 128 |
| | 95GIUH090CP12 | 88,000 | 85,000 | 95.0% | 2 - 3 | 1/2 | 120 - 60 - 1 | 15 | 6.1 | 40 | 145 |
| | 95GIUH090CP16 | 88,000 | 85,000 | 95.0% | 3 - 4 | 1/2 | 120 - 60 - 1 | 15 | 8.2 | 40 | 148 |
| | 95GIUH110CP16 | 110,000 | 106,000 | 95.0% | 3 - 4 | 1/2 | 120 - 60 - 1 | 15 | 8.2 | 40 | 157 |
| | 95GIUH110CP20 | 110,000 | 106,000 | 95.0% | 4 - 5 | 1/2 | 120 - 60 - 1 | 15 | 10.0 | 40 | 163 |
| | 95GIUH135DP20 | 132,000 | 126,000 | 95.0% | 4 - 5 | 1/2 | 120 - 60 - 1 | 15 | 10.0 | 40 | 180 |
| DOWNFLOW | 95GIDF045BP12 | 44,000 | 42,000 | 95.0% | 2 - 3 | 1/2 | 120 - 60 - 1 | 15 | 6.1 | 40 | 125 |
| | 95GIDF070BP12 | 66,000 | 64,000 | 95.0% | 2 - 3 | 1/2 | 120 - 60 - 1 | 15 | 6.1 | 40 | 129 |
| | 95GIDF090CP20 | 88,000 | 85,000 | 95.0% | 4 - 5 | 1/2 | 120 - 60 - 1 | 20 | 11.5 | 40 | 148 |
| | 95GIDF110CP20 | 110,000 | 106,000 | 95.0% | 4 - 5 | 1/2 | 120 - 60 - 1 | 20 | 11.5 | 40 | 165 |

Note: For vent length and clearances to combustibles, please reference installation instructions.

BLOWER PERFORMANCE DATA

| | Model | Motor Size (hp) | Blower Size | Temp Rise (°F) | Blower Speed | CFM @External Static Pressure - " w.c. | | | | | | | |
|---------------------|---------------|-----------------|-------------|----------------|--------------|--|------|------|------|------|------|------|------|
| | | | | | | 0.20 | 0.30 | 0.40 | 0.50 | 0.60 | 0.70 | 0.80 | 0.90 |
| UPFLOW / HORIZONTAL | 95G1UH045BP08 | 1/5 | 10 x 8 | 35 - 65 | High | 1125 | 1090 | 1065 | 1020 | 945 | 910 | 790 | 735 |
| | | | | | Med/High | 895 | 870 | 870 | 825 | 780 | 740 | 670 | 575 |
| | | | | | Med | 755 | 725 | 715 | 675 | 640 | 585 | 510 | 460 |
| | | | | | Low | 680 | 660 | 635 | 605 | 555 | 505 | 455 | 390 |
| | 95G1UH045BP12 | 1/3 | 10 x 8 | 25 - 55 | High | 1550 | 1480 | 1425 | 1355 | 1320 | 1225 | 1135 | 1025 |
| | | | | | Med/High | 1330 | 1295 | 1280 | 1190 | 1165 | 1110 | 1050 | 950 |
| | | | | | Med | 1150 | 1140 | 1105 | 1085 | 1030 | 975 | 920 | 800 |
| | | | | | Low | 1000 | 975 | 975 | 940 | 900 | 855 | 780 | 700 |
| | 95G1UH070BP12 | 1/3 | 10 x 8 | 40 - 70 | High | 1515 | 1465 | 1410 | 1345 | 1275 | 1195 | 1105 | 985 |
| | | | | | Med/High | 1300 | 1275 | 1235 | 1195 | 1140 | 1090 | 995 | 890 |
| | | | | | Med | 1080 | 1065 | 1050 | 1020 | 975 | 930 | 850 | 770 |
| | | | | | Low | 880 | 890 | 875 | 840 | 830 | 780 | 730 | 650 |
| | 95G1UH090CP12 | 1/3 | 10 x 8 | 50 - 80 | High | 1580 | 1525 | 1480 | 1415 | 1350 | 1260 | 1190 | 1060 |
| | | | | | Med/High | 1305 | 1295 | 1275 | 1220 | 1175 | 1115 | 1010 | 9305 |
| | | | | | Med | 1070 | 1060 | 1055 | 1030 | 1005 | 955 | 880 | 795 |
| | | | | | Low | 890 | 890 | 885 | 860 | 835 | 785 | 740 | 655 |
| | 95G1UH090CP16 | 1/2 | 10 x 10 | 40 - 70 | High | 2060 | 1990 | 1925 | 1830 | 1720 | 1600 | 145 | 1300 |
| | | | | | Med/High | 1840 | 1805 | 1755 | 1675 | 1610 | 1520 | 1410 | 1305 |
| | | | | | Med | 1580 | 1550 | 1510 | 1460 | 1390 | 1300 | 1200 | 1100 |
| | | | | | Low | 1360 | 1365 | 1330 | 1285 | 1230 | 1165 | 1035 | 901 |
| | 95G1UH110CP16 | 1/2 | 10 x 10 | 40 - 70 | High | 1940 | 1875 | 1800 | 1725 | 1630 | 1530 | 1410 | 1245 |
| | | | | | Med/High | 1600 | 1560 | 1495 | 1400 | 1335 | 1290 | 1190 | 1000 |
| | | | | | Med | 1400 | 1370 | 1330 | 1295 | 1185 | 1100 | 985 | 925 |
| | | | | | Low | 1170 | 1160 | 1120 | 1080 | 1030 | 940 | 790 | 715 |
| | 95G1UH110CP20 | 3/4 | 11 1/2 x 10 | 40 - 70 | High | 2265 | 2190 | 2090 | 2000 | 1935 | 1805 | 1730 | 1645 |
| | | | | | Med/High | 2135 | 2050 | 1945 | 1880 | 1770 | 1720 | 1590 | 1520 |
| | | | | | Med | 1890 | 1785 | 1755 | 1685 | 1540 | 1480 | 1405 | 1340 |
| | | | | | Low | 1730 | 1685 | 1665 | 1640 | 1590 | 1505 | 1455 | 1400 |
| 95G1UH135DP20 | 3/4 | 11 1/2 x 10 | 45 - 75 | High | 2350 | 2250 | 2150 | 2030 | 1950 | 1870 | 1740 | 1650 | |
| | | | | Med/High | 2170 | 2110 | 1970 | 1900 | 1795 | 1690 | 1520 | 1430 | |
| | | | | Med | 1890 | 1820 | 1750 | 1710 | 1645 | 1560 | 1455 | 1360 | |
| | | | | Low | 1665 | 1610 | 1565 | 1510 | 1435 | 1410 | 1280 | 1210 | |

Blower Performance Data continues on next page

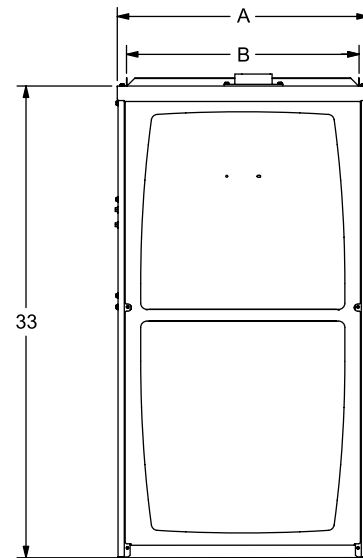
BLOWER PERFORMANCE DATA

| | Model | Motor Size (hp) | Blower Size | Temp Rise (°F) | Blower Speed | CFM @External Static Pressure - " w.c. | | | | | | | |
|----------|---------------|-----------------|-------------|----------------|--------------|--|------|------|------|------|------|------|------|
| | | | | | | 0.20 | 0.30 | 0.40 | 0.50 | 0.60 | 0.70 | 0.80 | 0.90 |
| DOWNFLOW | 95G1DF045BP12 | 1/3 | 10 x 8 | 25 - 55 | High | 1500 | 1450 | 1350 | 1300 | 1195 | 1140 | 1025 | 945 |
| | | | | | Med/High | 1340 | 1290 | 1235 | 1170 | 1095 | 1020 | 920 | 800 |
| | | | | | Med | 1165 | 1125 | 1090 | 1035 | 990 | 895 | 840 | 700 |
| | | | | | Low | 1015 | 975 | 920 | 875 | 840 | 780 | 695 | 605 |
| | 95G1DF070BP12 | 1/3 | 10 x 8 | 35 - 65 | High | 1445 | 1380 | 1315 | 1270 | 1155 | 1075 | 975 | 900 |
| | | | | | Med/High | 1275 | 1240 | 1190 | 1145 | 1075 | 1000 | 900 | 800 |
| | | | | | Med | 1065 | 1060 | 1020 | 995 | 940 | 875 | 800 | 675 |
| | | | | | Low | 910 | 900 | 875 | 870 | 820 | 765 | 715 | 615 |
| | 95G1DF090CP20 | 1 | 11 1/2 x 10 | 30 - 60 | High | 2200 | 2160 | 2055 | 1970 | 1890 | 1775 | 1690 | 1580 |
| | | | | | Med/High | 2080 | 1990 | 1930 | 1855 | 1765 | 1680 | 1590 | 1485 |
| | | | | | Med | 1865 | 1830 | 1790 | 1705 | 1635 | 1565 | 1485 | 1405 |
| | | | | | Low | 1525 | 1545 | 1530 | 1500 | 1495 | 1430 | 1370 | 1270 |
| | 95G1DF110CP20 | 1 | 11 1/2 x 10 | 50 - 80 | High | 2275 | 2200 | 2115 | 2040 | 1955 | 1860 | 1735 | 1640 |
| | | | | | Med/High | 2125 | 2060 | 1995 | 1940 | 1855 | 1730 | 1620 | 1535 |
| | | | | | Med | 1950 | 1900 | 1845 | 1795 | 1745 | 1640 | 1590 | 1480 |
| | | | | | Low | 1635 | 1620 | 1620 | 1590 | 1540 | 1515 | 1415 | 1330 |

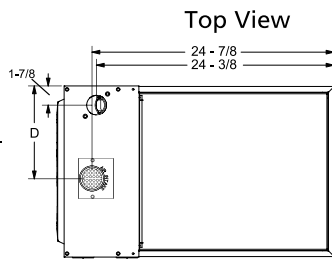
DIMENSIONS (IN.)

| | Model | A | B | C | D |
|---------------------|---------------|--------|--------|--------|--------|
| UPFLOW / HORIZONTAL | 95G1UH045BP08 | 17-1/2 | 16-3/8 | 16 | 7-5/8 |
| | 95G1UH045BP12 | 17-1/2 | 16-3/8 | 16 | 7-5/8 |
| | 95G1UH070BP12 | 17-1/2 | 16-3/8 | 16 | 7-5/8 |
| | 95G1UH090CP12 | 21 | 19-7/8 | 19-1/2 | 9-3/8 |
| | 95G1UH090CP16 | 21 | 19-7/8 | 19-1/2 | 9-3/8 |
| | 95G1UH110CP16 | 21 | 19-7/8 | 19-1/2 | 9-3/8 |
| | 95G1UH110CP20 | 21 | 19-7/8 | 19-1/2 | 9-3/8 |
| | 95G1UH135DP20 | 24-1/2 | 23-3/8 | 23 | 11-1/8 |
| DOWNFLOW | 95G1DF045BP12 | 17-1/2 | 16-3/8 | 16 | 15-1/2 |
| | 95G1DF070BP12 | 17-1/2 | 16-3/8 | 16 | 15-1/2 |
| | 95G1DF090CP20 | 21 | 19-7/8 | 19-1/2 | 19 |
| | 95G1DF110CP20 | 21 | 19-7/8 | 19-1/2 | 19 |

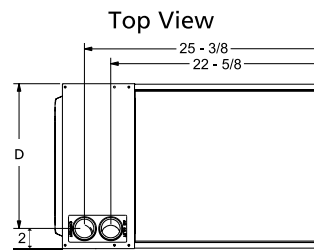
Front View



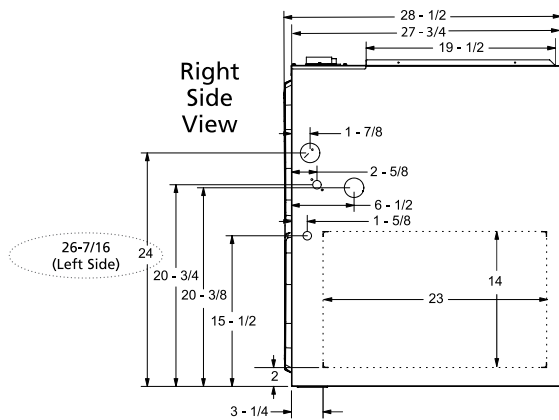
Upflow / Horizontal



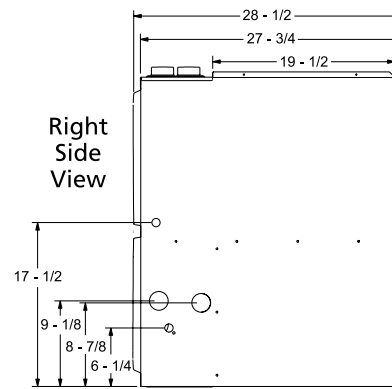
Downflow



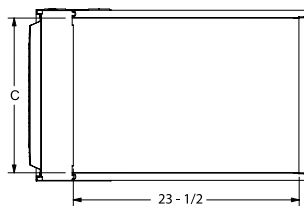
Right Side View



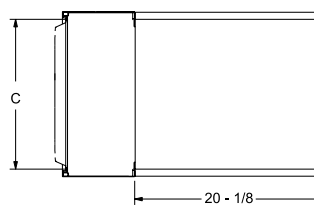
Right Side View



Bottom View



Bottom View



ACCESSORY LIST

| CATALOG NUMBER | DESCRIPTION |
|---|-------------------------|
| EXTERNAL FILTER RACK KITS | |
| 1.841018 | 1 pack (16 x 25) |
| 1.841039 | 10 pack (16 x 25) |
| NATURAL TO LP KITS | |
| 11K50 | 1-Stage - 90 |
| 11K48 | High Altitude (<4500ft) |
| RETURN AIR BASE | |
| 68W62 | 17.5" B Width |
| 68W63 | 21.0" C Width |
| 68W64 | 24.5" D Width |
| DOWNFLOW COMBUSTIBLE FLOORING BASE | |
| 11M60 | 17.5" B Width |
| 11M61 | 21.0" C Width |
| NIGHT SERVICE KITS | |
| 68W80 | Single Stage |
| HORIZONTAL SUSPENSION KIT | |
| 51W10 | 80% & 90% Kit |
| FLUSH MOUNT TERMINATION (90% FURNACES ONLY) US ONLY | |
| 51W11 | 2" & 3" Vent Version |
| CONCENTRIC VENT KIT (90% FURNACES ONLY) US ONLY | |
| 71M80 | 1-1/2" Vent Version |
| 69M29 | 2" Vent Version |
| 60L46 | 3" Vent Version |

For vent length and clearances to combustibles, please reference installation instructions.



1-800-448-5872

All specifications and illustrations subject to change without notice and without incurring obligations.